

TY-01 / TY-01-25

User Manual



Contents

Caution/Liability	Page 2
Specifications	Page 3
Dimensions	Page 4
Components	Page 5
Assembly Instructions	Page 6-7
Reset Procedure	Page 8
Pairing Wireless Remote	Page 8



Caution



Ensure no obstacles are in the TV lift's path. Ensure all cords are the appropriate length to accommodate the change in height.



Warning:
Pinch point!
Keep hands and fingers clear.

Ensure these instructions are read and acknowledge before use or installation.

Please contact a professional installer for assistance if unsure of installation. Attach to structures suitable for supporting the TV lift and added load.

Use the appropriate safety equipment and tools. A minimum of two people is required for this installation.

Do not exceed the maximum load capacity of 135 lbs or else this may result in product failure or personal injury.

Do not sit or stand on the TV lift. Do not crawl or lie under the TV lift.

Before cleaning, unplug the unit from power. Clean with a slightly damp cloth to wipe away any surface dust. Do not use corrosive or abrasive materials. Keep all electrical components away from liquids.

Dispose of in accordance with local laws and regulations. There are wires, electronic components, metal and plastic parts and may not be disposed of as local waste.



Liability



Under no circumstances does the manufacturer accept warranty claims or liability claims for damages caused by improper use or handling of the TV lift.

Specifications



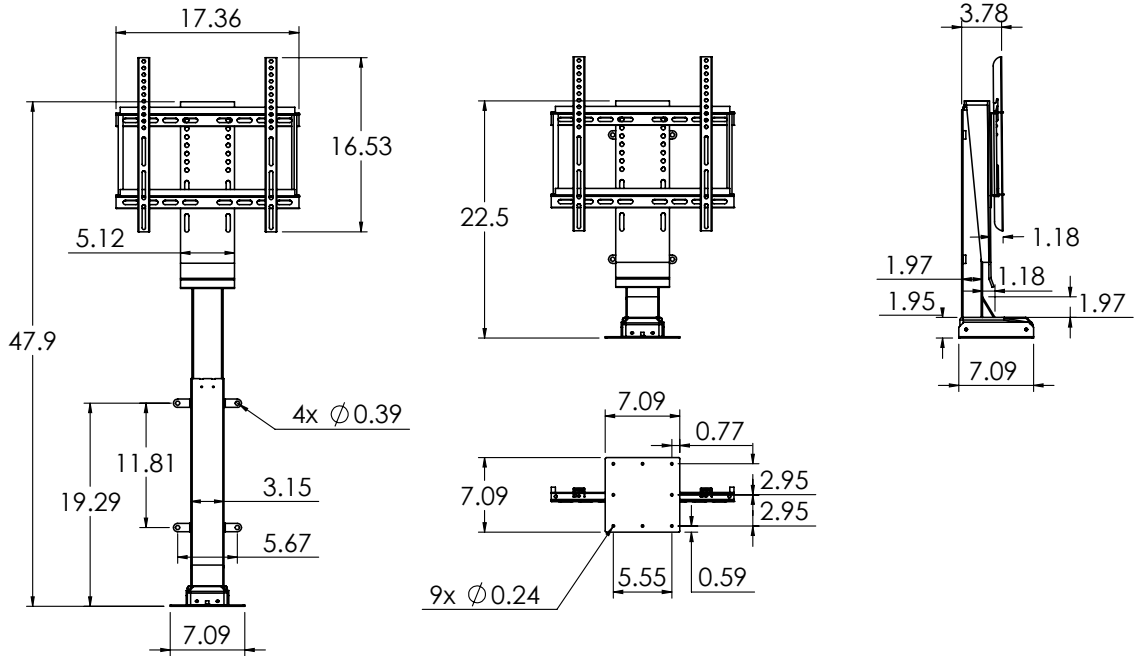
Model	TY-01-25	TY-01
Stroke (Movement)	25.4"	38.8"
Minimum Height	22.5"	32.1"
Maximum Height	47.9"	70.9"
Dimensions (LxWxH)	7.09" x 18.19" x 26.88"	7.09" x 28.62" x 36.18"
Weight	33.2 lbs	42.0 lbs
TV Size Compatibility	32" to 60"	
Vesa Compatibility	Yes - Adjustable	
Input Voltage	110 VAC, 230 VAC Customizable	
Control Options	Wireless & Wired Remote	
Wireless Remote Range	Up to 100 ft	
Wired Remote Cable Length	Coiled Cable, Up to 6 ft when stretched	
Dynamic Load	135 lbs	
Static Load	155 lbs	
Upside Down Dynamic Load	135 lbs	
Upside Down Static Load	135 lbs	
Speed (No Load)	1.22"/sec	
Speed (Full Load)	0.98"/sec	
Overload Protection	PTC Short Circuit Protection	
Operational Temperature	5° to 40°C (41° to 104°F)	
Operating Noise	<50dB	
Duty Cycle	10% (2 Minutes On, 18 Minutes Off)	
IP Rating	IP20	
Certifications	UL for Control System and Lifting Column	
Color	Black	
Frame Material	Steel	
AC Cable Length	10 ft	
Warranty	18 Months	



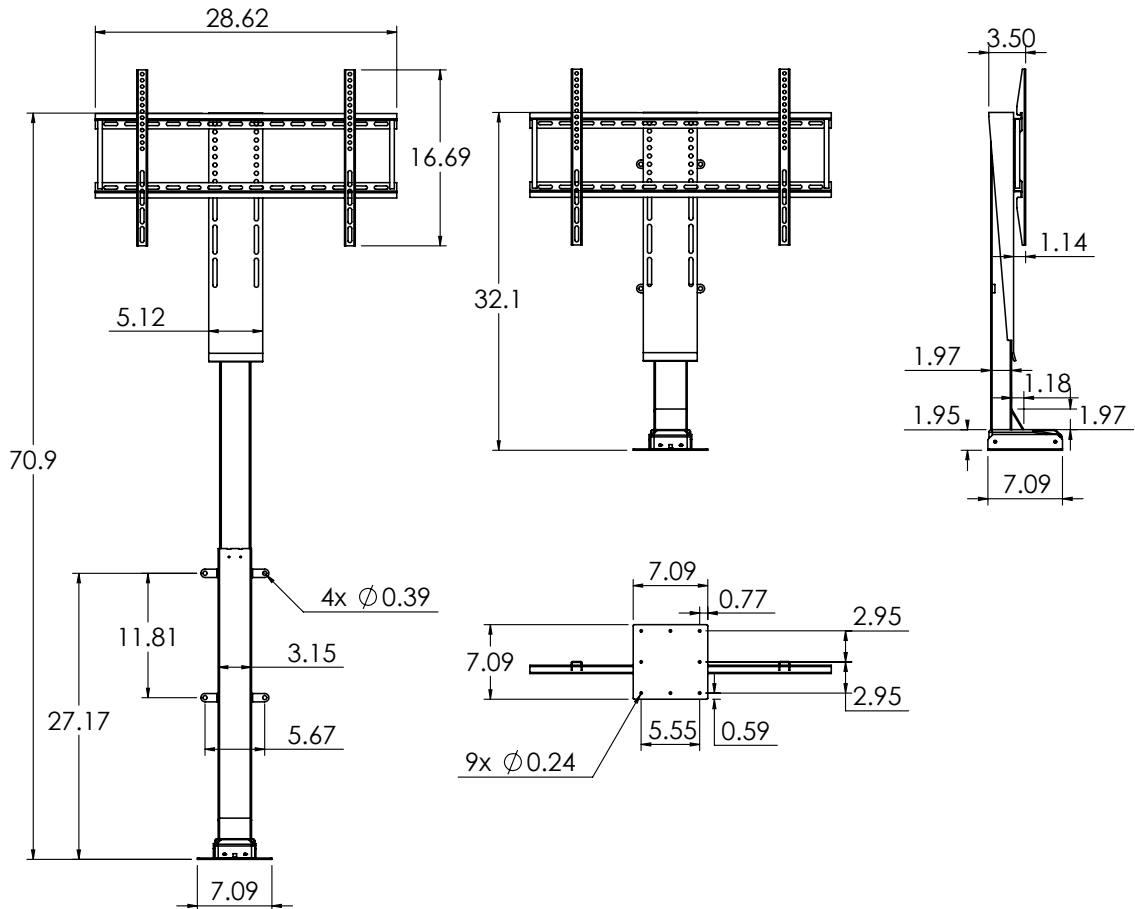
Dimensions

(Dimensions in inches)

TY-01-25



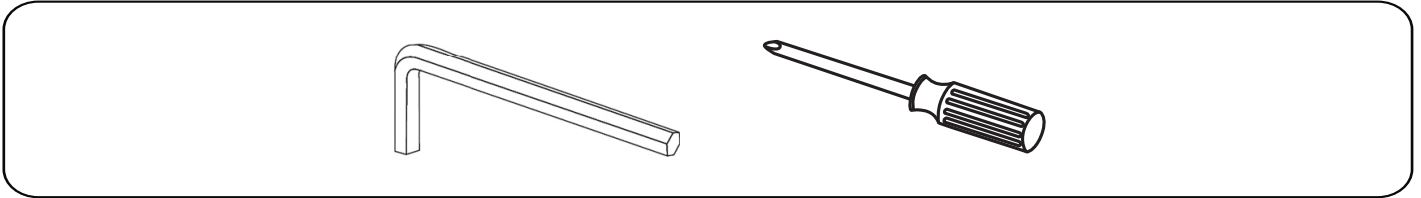
TY-01



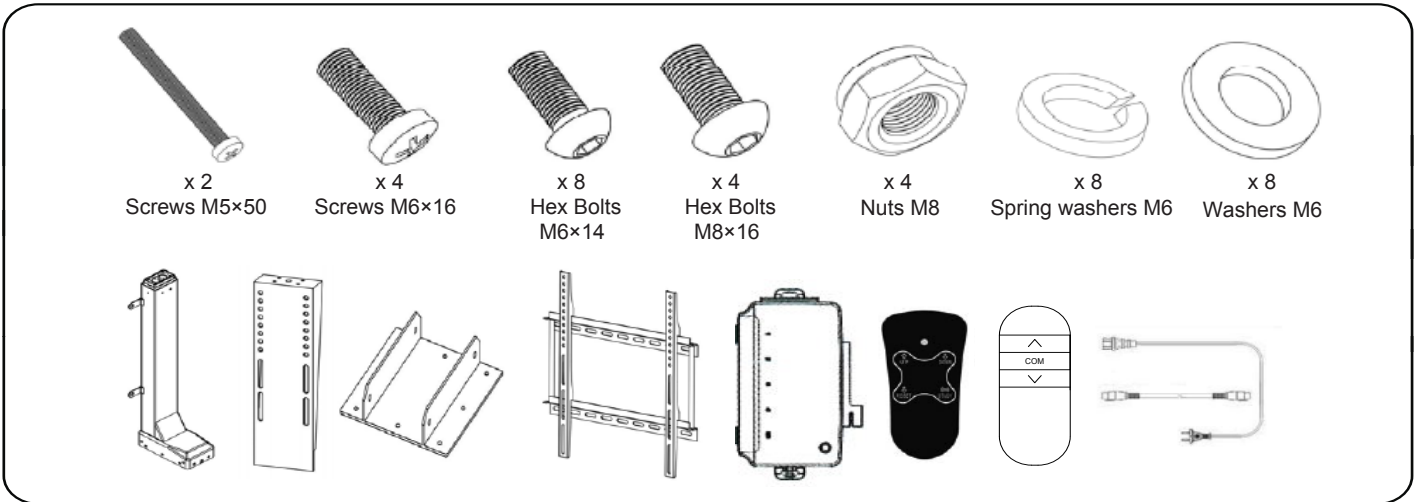


Components

Tools



Hardware



x 2
Screws M5x50

x 4
Screws M6x16

x 8
Hex Bolts
M6x14

x 4
Hex Bolts
M8x16

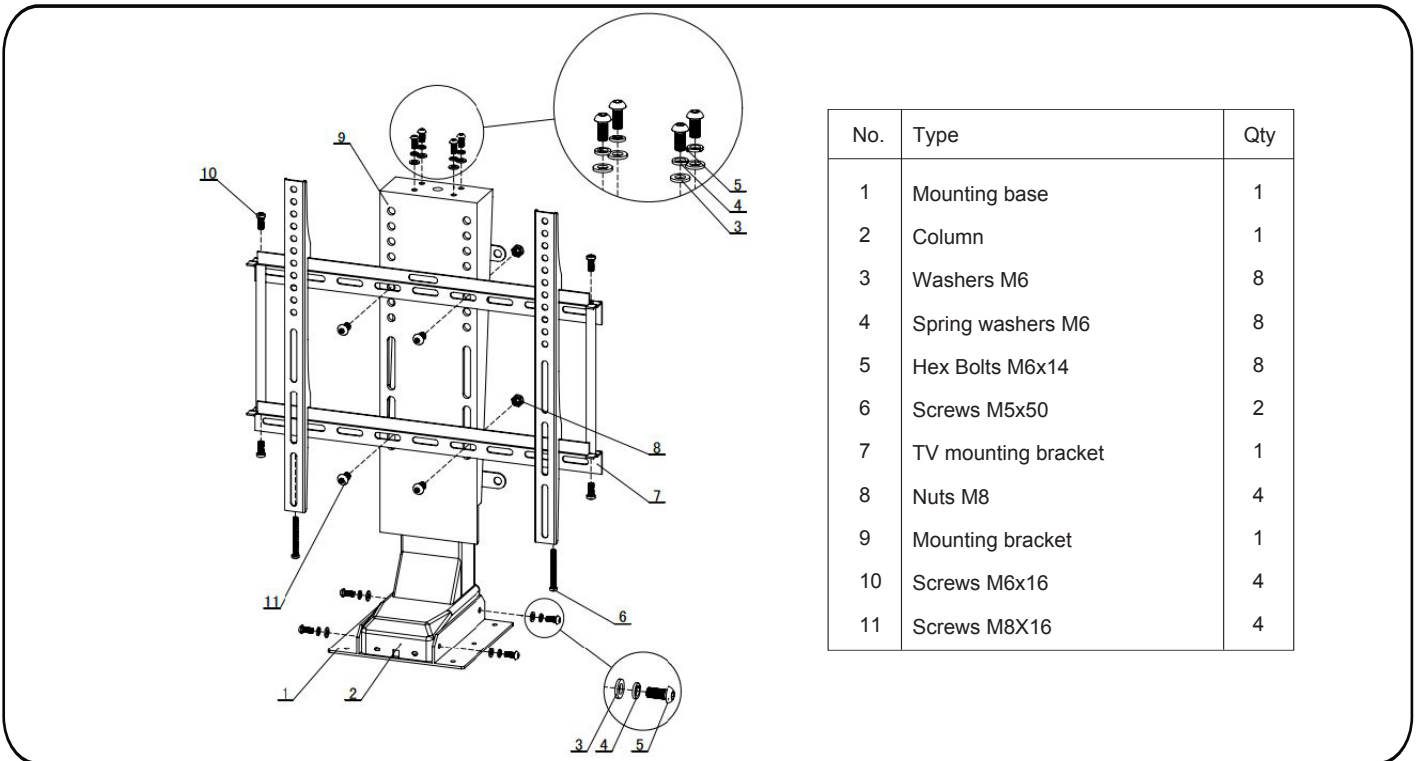
x 4
Nuts M8

x 8
Spring washers M6

x 8
Washers M6

*2 AAA batteries are required for the wireless remote

Parts Diagram



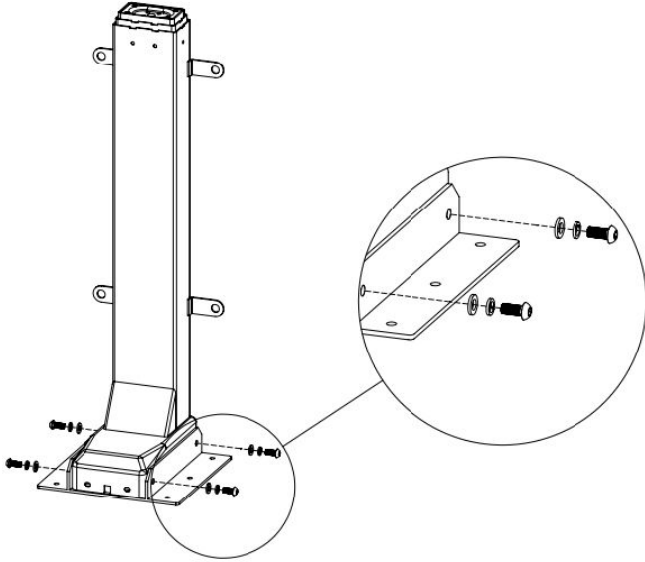
No.	Type	Qty
1	Mounting base	1
2	Column	1
3	Washers M6	8
4	Spring washers M6	8
5	Hex Bolts M6x14	8
6	Screws M5x50	2
7	TV mounting bracket	1
8	Nuts M8	4
9	Mounting bracket	1
10	Screws M6x16	4
11	Screws M8X16	4



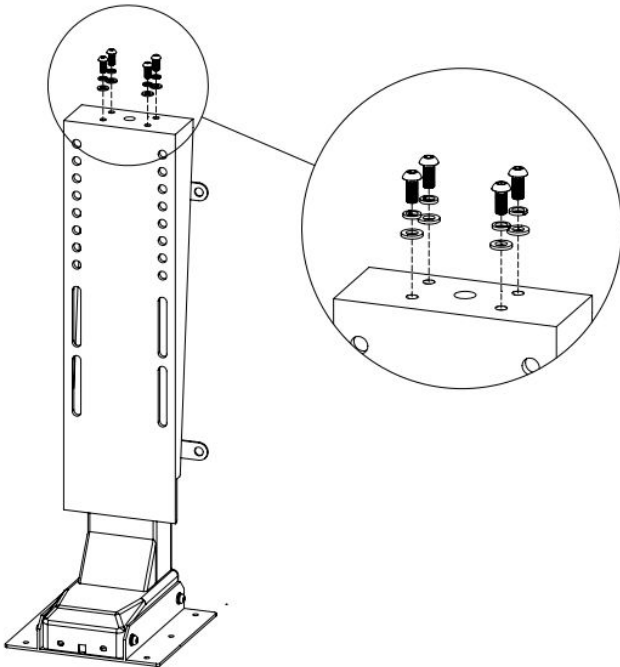
Assembly Instructions

Please contact our customer service department should you have any questions.

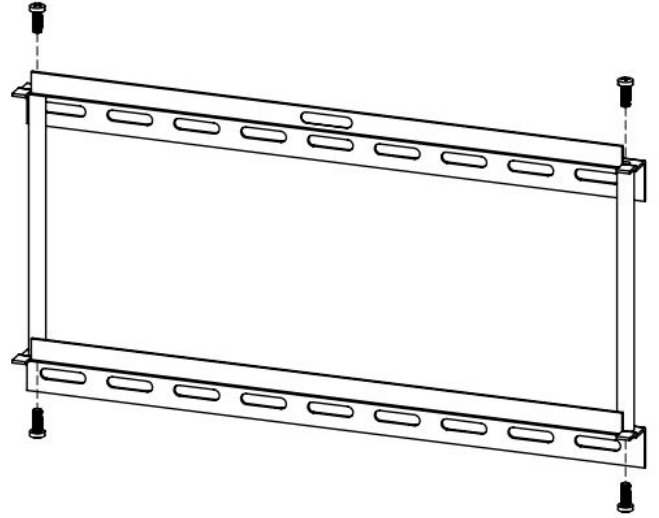
- 1 Use 4 Hex Bolts M6x16, each with Spring washer and Washer, to attach Bases to the bottom of the Column. Tighten the 4 Screws (2 per side).



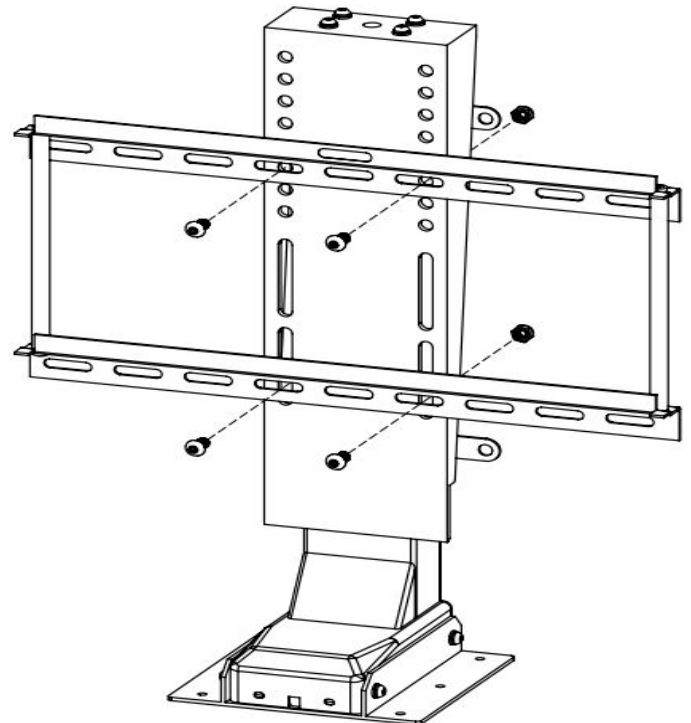
- 2 Use 4 Hex Bolts M6x16, each with Spring washer and Washer, to attach Mounting bracket to the top of the Column. Tighten the 4 Screws.



- 3 Use 4 Screws M6x16, to assemble the TV mounting bracket as following.



- 4 Use 4 Hex Bolts M8x16, each with Spring washer and Washer, to attach TV mounting bracket on to the Mounting bracket. Tighten the 4 Screws.

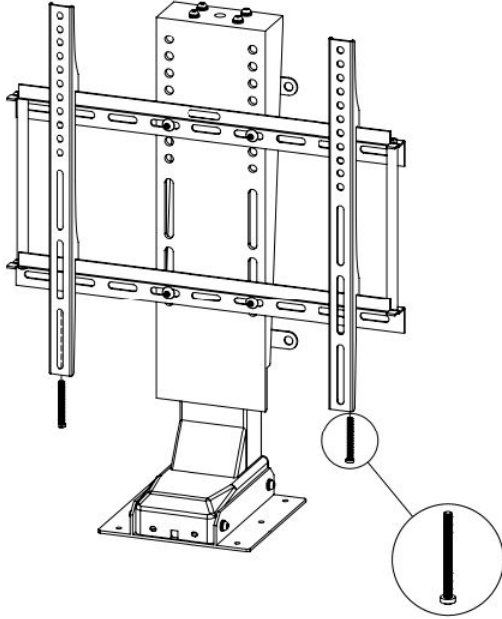


Assembly Instructions

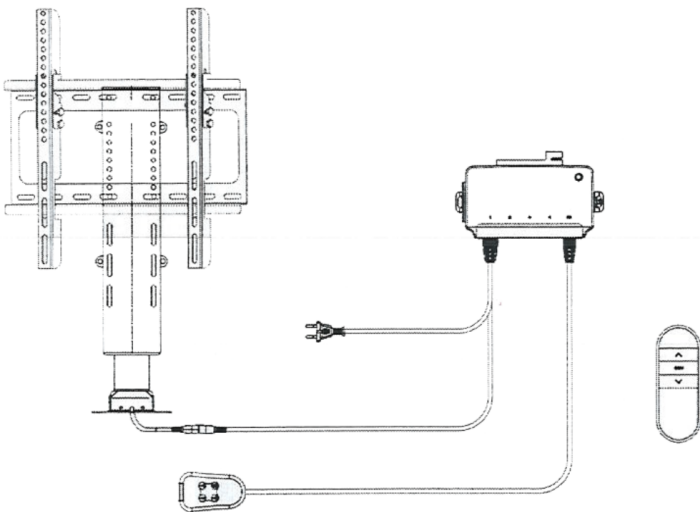


- 5 Secure another 2 parts of the TV mounting bracket onto the backside of the TV set with 4 screws included with TV set. And then hang the TV set onto the TV mounting bracket as following.

Use 2 M5x50 screws to tighten on the bottom.

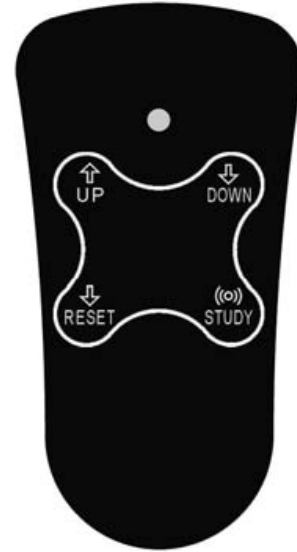


- 6 Connect the wires as per the diagram below. A Reset procedure is required before use.



- 7 Operating: You can use the wireless remote or handset to operate the TV lift.

- (1) Remote: Press the UP button to move the TV lift move up, press the DOWN button to move the TV lift move down.
- (2) Handset: Press UP button, TV lift move up, press DOWN button, TV lift move down. (3) During the movement, you can press any button on remote or handset (not the RESET button on handset), TV lift stop at once.



8 Setting the UPPER and LOWER limits:

- To set the UPPER limit position:
Hold UP and RESET for 3 seconds, release both buttons to stop the rising column at the preferred position. The upper-limit position is now set.
- To set the LOWER limit position:
Hold the DOWN and RESET for 3 seconds, release both buttons to stop the descending column at the preferred lower limit position. The lower-limit position is now set.
- The upper and lower limit set have power down memory, which means this setting will be saved even if power is removed from the control box.

Reset Procedure



Please contact our customer service department should you have any questions.

9 The handset remote has two different modes which indicate the state of the TV lift

- If the red LED is blinking at 0.5 second intervals, the device is in RESET mode.
- If the red LED is blinking at 3 second intervals, the device is in OVERHEAT PROTECTION mode.

The device can go into RESET mode automatically if there is an error, or the RESET mode needs to be activated manually if the device is not working as intended.

To Enable RESET mode:

1. To enter the RESET procedure, hold the RESET button on the wired handset remote until the red LED begins blinking at 0.5 second intervals.
2. Release the RESET Button once the red LED begins blinking. This takes approximately 5 seconds.
3. Press and hold the RESET button until the TV lift lowers completely. Continue holding the RESET button until the TV lift raises back up about 7mm.
4. Once the red LED stops blinking, the device has completed the RESET procedure.

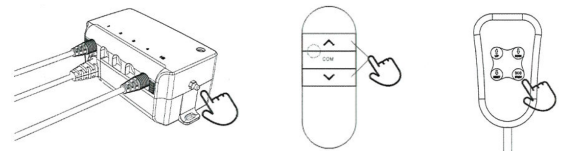
Please note, before the RESET procedure is complete, all buttons will not be functional except for the RESET button on the wired handset remote.

10 Pairing the Wireless Remote

Pairing the wireless remote is required before use. There are two options for pairing the wireless remote:

- Press the UP and DOWN buttons on the wireless remote while simultaneously pressing the STUDY button on the wired handset remote for 10 seconds.
- Press the UP and DOWN buttons on the wireless remote while simultaneously pressing the button on the side of the control box for 10 seconds.

The TV lift may raise after the remote pairing has been completed.



11 Changing Travel Functionality

To change the wireless remotes travel function from Momentary to Non-Momentary, hold the COM button for approximately 10 seconds.

12 Basic Troubleshooting

If the TV lift is unresponsive, remove power from the control box and wait for 15 seconds. Reconnect power to the control box and check that the green LED light on the control box is on.

Warning: The TV lift will move to the zero position when RESET. Be sure there is no obstruction under the TV set.